

Reverse - PVD Gun Metal

Built-in socket

Code: 8000 116

Push socket-holder slot in Gun Metal PVD stainless steel for built-in installation on work surfaces - 2
Schuko socket -1 USB socket for charging



DETAILS

Texture Foster brushed

Coloring Gun Metal

Finish PVD

Material AISI 304 stainless steel

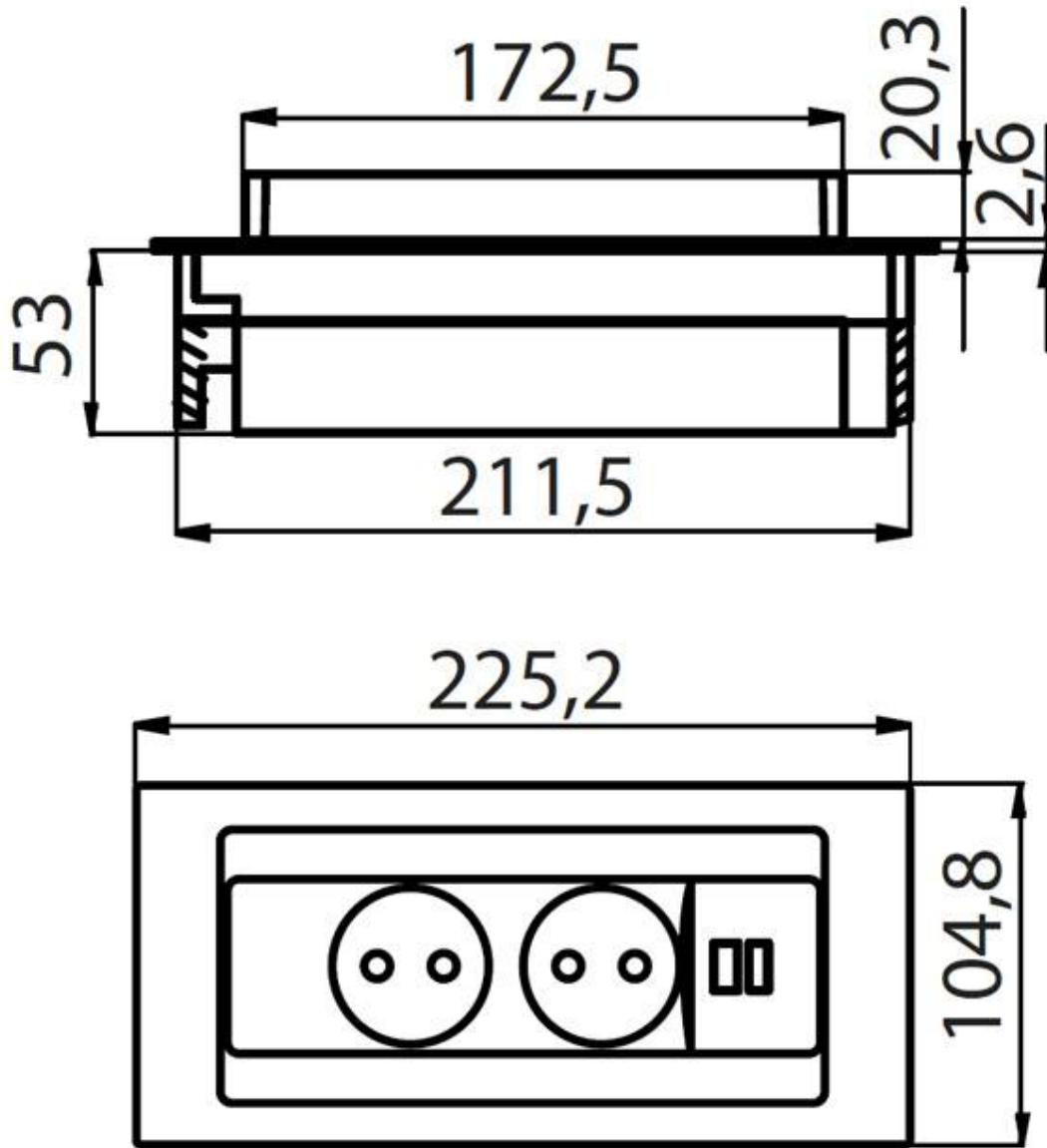
Built-in hole 215x88 mm

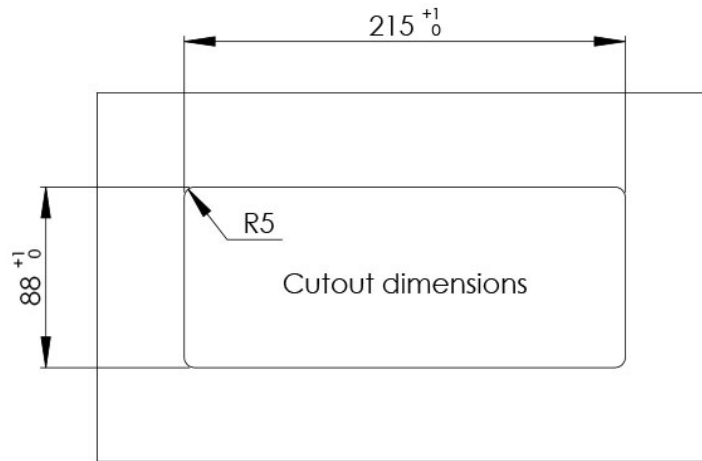
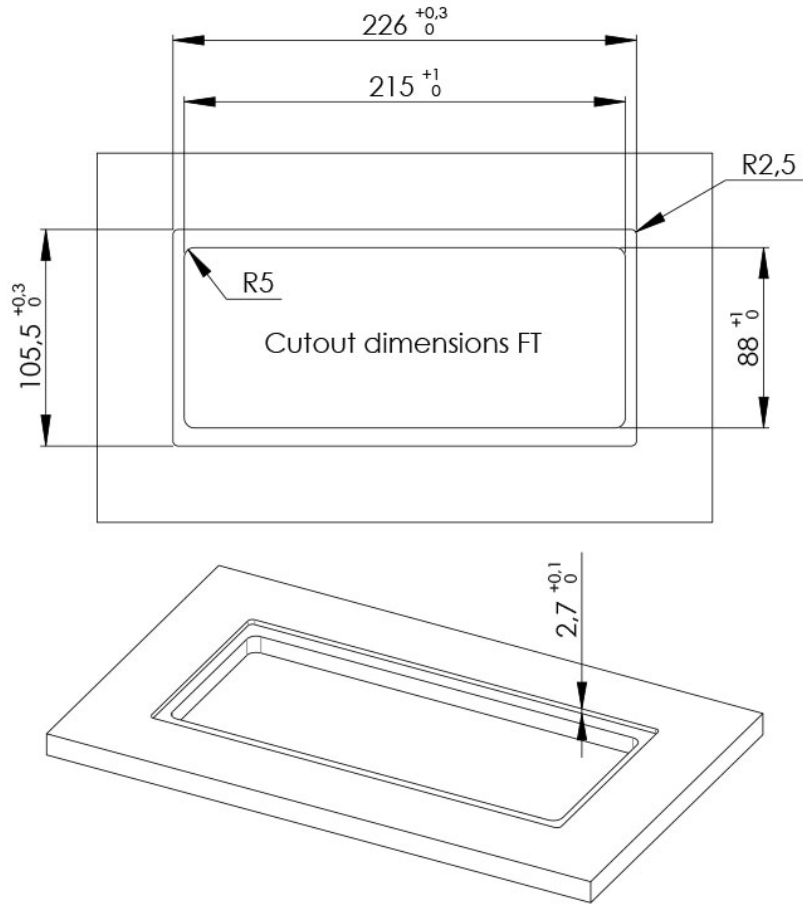
Notes: It's advisable to keep a distance of 40 cm from sinks or cooking hobs (protection index IP20)

FEATURES

Gun Metal The Gun Metal finish is obtained by treating steel with a physical process called PVD (Physical Vacuum Deposition) which deposits particles of noble metals on the surface. The result is a unique and refined aesthetic effect, and an improvement of the mechanical properties of the steel which is more resistant to impact and scratches.

TECHNICAL DATA





GALLERY

